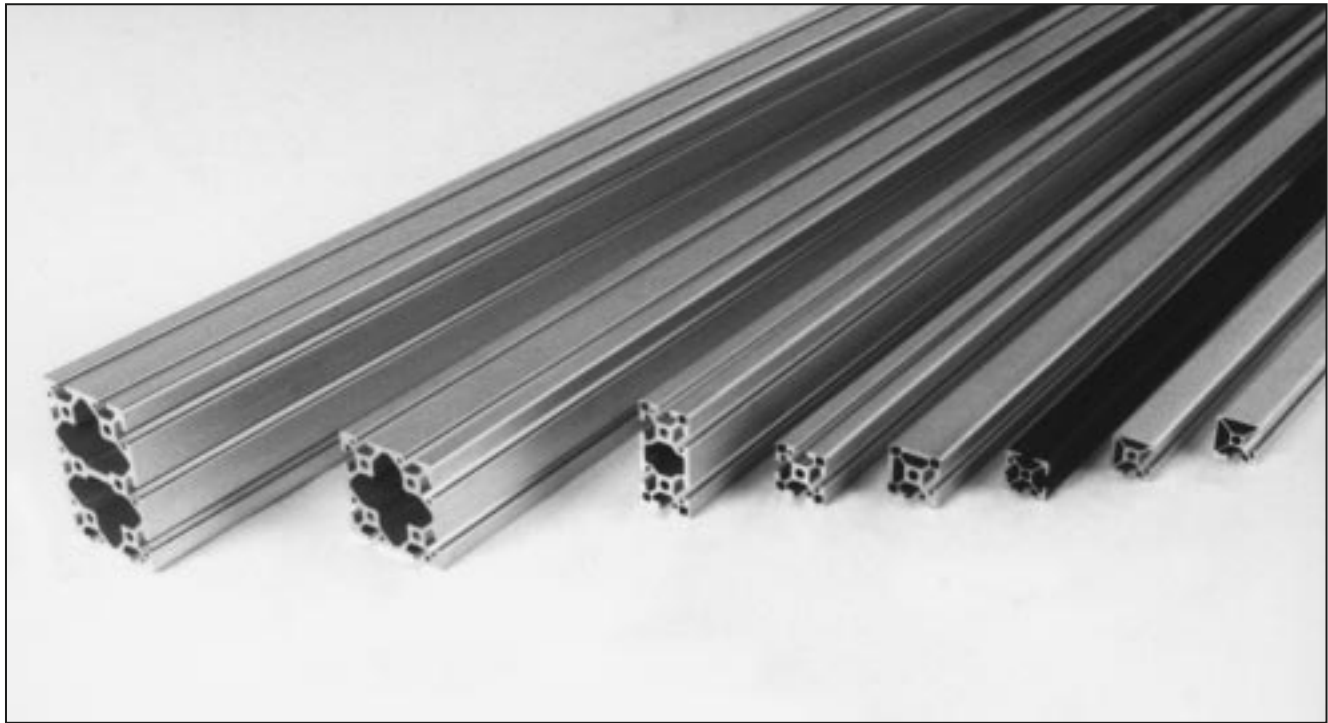


a lex[®] **Basic Profiles**



**CAD FILES
AVAILABLE!**

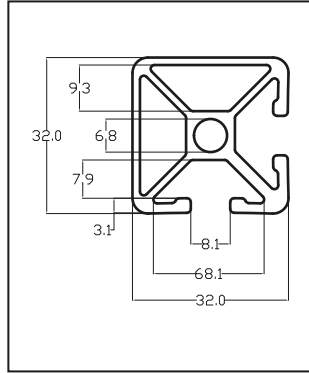
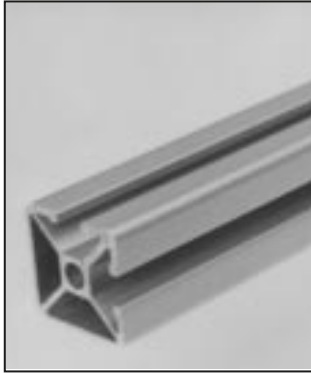
[HTTP://WWW.ALEXPRODUCTS.COM](http://www.alexproducts.com)

General Specifications -

- All structural profiles are extruded from type 6005 T5 or 6063 T6 material (32 mm series)
- Yield - RM min. 200 n/mn³ - 35,000 PSI min. (6005 T5)
- Tensile strength RM min. 250 n/mn² - 38,000 PSI min. (6005 T5)
- Brinell Hardness approximately 75 HB 2.5/187.5
- Anodizing - unless otherwise specified all a lex extrusions feature etch and clear anodizing - depth (.0003 inch)
- Twist not to exceed 1/4° per foot
- Straightness .0125/ft (3mm)
- 6005 T5 and 6036 T6 are generally stable in ambient temperature range of -40°c - 200°c

a lex[®] Basic Profiles - 32mm Series Profiles

32mm x 32mm Corner Lite Profile



Applications

Small enclosures
Simple frames
(Requires flat or corner fastener for connection)

Technical Specifications

1_x 3.99 cm⁴
Weight 1.09 kg/m

Description

Profile cut to length 6m max
Profile box - 16 pieces - 6m ea.
Profile cut to length 6m max.
Profile box - 16 pcs - 6m ea.
Profile saw cut

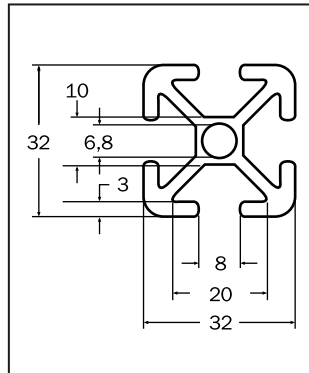
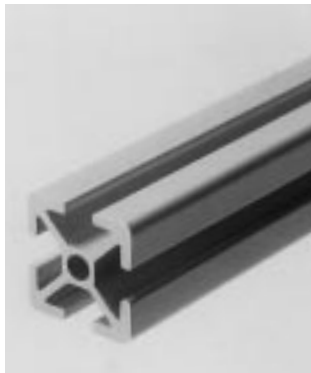
Color

Clear
Clear
Black
Black

Part

44036
44037
44036B
44037B
44102

32mm x 32mm Profile



Applications

Enclosures
Partitions
Light duty
Structures

Technical Specifications

1_x 4.67 cm⁴
Weight 1.17 kg/m

Description

Profile cut to length 6m max
Profile box - 16 pieces - 6m ea.
Profile cut to length 6m max.
Profile box - 16 pcs - 6m ea.
Profile saw cut

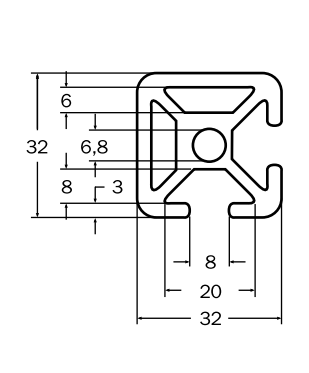
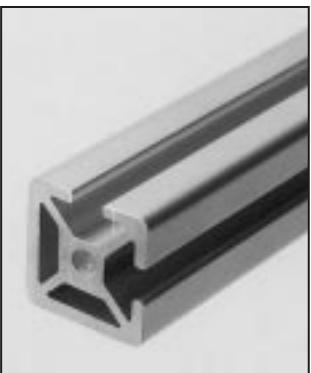
Color

Clear
Clear
Black
Black

Part

44034
44035
44034B
44035B
44102

32mm x 32mm Corner Profile



Applications

Enclosures
Partitions
Light duty
Structures
(Requires flat or corner fastener for connection)

Technical Specifications

1_x 5.29 cm⁴
Weight 1.40 kg/m

Description

Profile cut to length 6m max
Profile box - 16 pieces - 6m ea.
Profile cut to length 6m max.
Profile box - 16 pcs - 6m ea.
Profile saw cut

Color

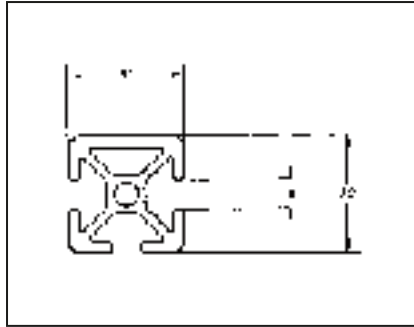
Clear
Clear
Black
Black

Part

44032
44033
44032B
44033B
44102

a lex[®] Basic Profiles - 32mm Series Profiles

32mm 3 Slot Profile



Applications

Small enclosures
Simple frames
Doors
Light duty structures

Description

Profile cut to length 6m max
Profile box - 16 pieces - 6m ea.
Profile cut to length 6m max.
Profile saw cut

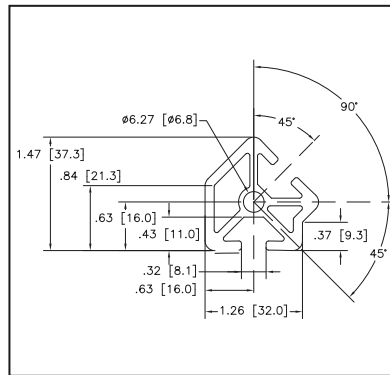
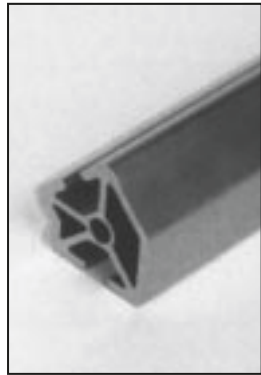
Color

Clear
Clear
Black

Part

44420
44421
44420B
44102

32mm 35mm 45° Profile



Applications

Small Enclosures
Chamfer enclosed corners
Tunnel enclosures
Gusset ends

Technical Specifications

1_x 5.29 cm⁴
Weight 1.40 kg/m

Description

Profile cut to length 6m max
Profile box - 16 pieces - 6m ea.
Profile cut to length 6m max.
Profile box - 16 pieces - 6m ea.
Profile saw cut

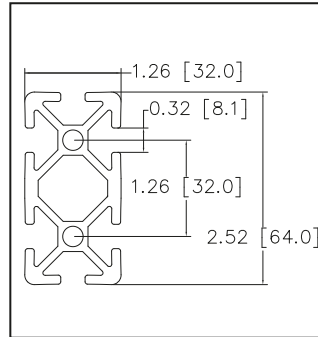
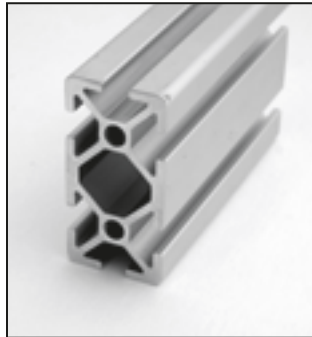
Color

Clear
Clear
Black
Black

Part

44230
44231
44230B
44231B
44102

32mm x 64mm Profile



Applications

General duty structures
Compressed air piping

Description

Profile cut to length 6m max
Profile box - 8 pieces - 6m ea.
Profile cut to length 6m max.
Profile box - 8 pieces - 6m ea.
Profile saw cut

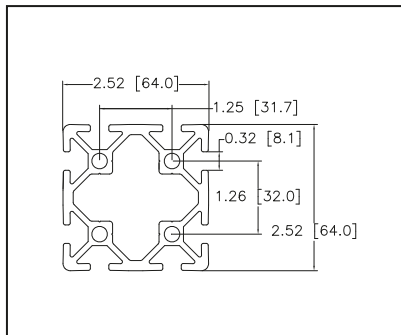
Color

Clear
Clear
Black
Black

Part

44590
44591
44590B
44591B
44102

64mm x 64mm Profile



Applications

General duty structures
Compressed air piping

Description

Profile cut to length 6m max
Profile box - 4 pieces - 6m ea.
Profile cut to length 6m max.
Profile box - 4 pieces - 6m ea.
Profile box - 16 pieces - 6m ea.
Profile saw cut

Color

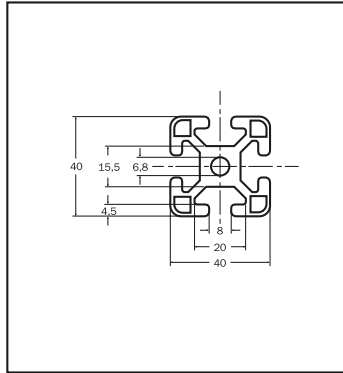
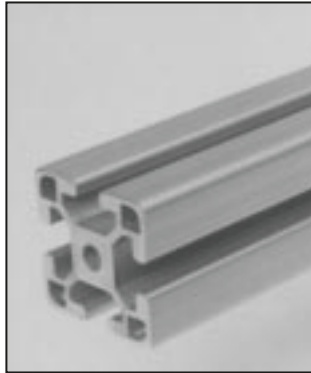
Clear
Clear
Black
Black
Black

Part

44564
44565
44564B
44565B
44421B
44102

a lex[®] Basic Profiles - 40mm Series Profiles

40mm x 40mm Profile

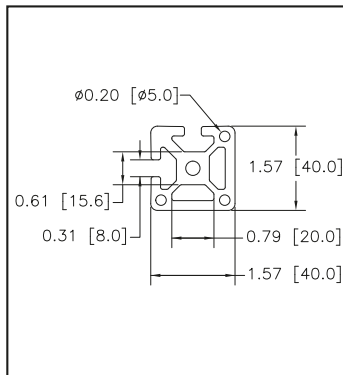
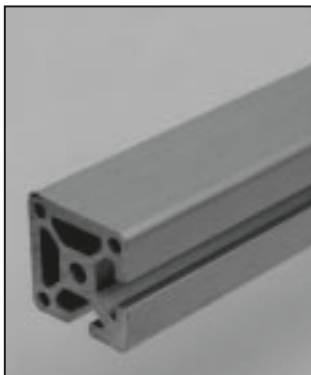


Applications
 Most versatile
 Enclosures
 Conveyors
 Machine frames
 Light duty structures

Technical Specifications
 1x 10.07 cm⁴
 Weight 1.86 kg/m

Description	Color	Part #
Profile cut to length 6m max	Clear	44040
Profile box - 16 pieces - 6m ea.	Clear	44041
Profile cut to length 6m max.	Black	44040B
Profile box - 16 pcs - 6m ea.	Black	44041B
Profile saw cut		44102

40mm x 40mm Corner Profile

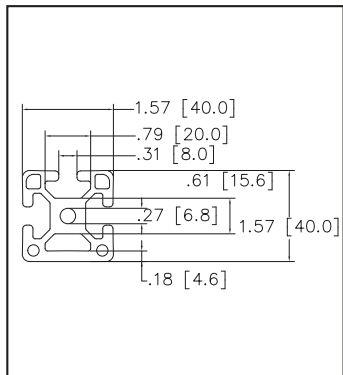
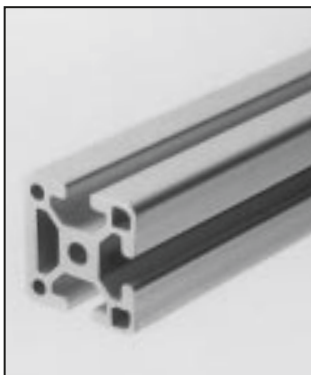


Applications
 Clean room structure
 Enclosures
 Machine frames
 Light duty structures
 (May require flat fastener for connection)

Technical Specifications
 1x 12.4 cm⁴
 Weight 2.29 kg/m

Description	Color	Part #
Profile cut to length 6m max	Clear	44042
Profile box - 16 pieces - 6m ea.	Clear	44043
Profile cut to length 6m max.	Black	44042B
Profile box - 16 pcs - 6m ea.	Black	44043B
Profile saw cut		44102

40mm x 40mm 3 Slot Profile



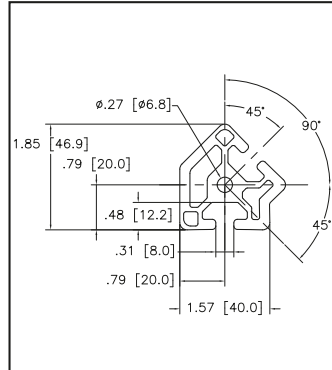
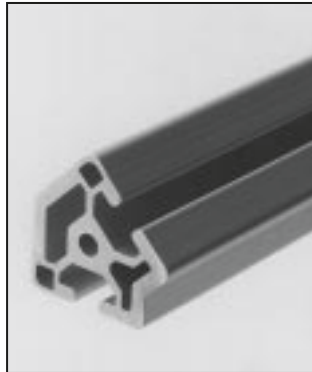
Applications
 Clean room structure
 Enclosures
 Manifolds
 Light duty structures

Technical Specifications
 1x 12.11 cm⁴
 Weight 2.14 kg/m

Description	Color	Part #
Profile cut to length 6m max	Clear	44236
Profile box - 16 pieces - 6m ea.	Clear	44237
Profile cut to length 6m max.	Black	44236B
Profile box - 16 pcs - 6m ea.	Black	44237B

a lex® **Basic Profiles** - 40mm Series Profiles

40mm x 40mm 45° Profile



Applications

Octagons
Chamfer frames
Tunnel enclosures
Gusset ends

Technical Specifications

1_x 11.34 cm⁴
Weight 2.28 kg/m

Description

Profile cut to length 6m max
Profile box - 16 pieces - 6m ea.
Profile cut to length 6m max.
Profile box - 16 pcs - 6m ea.

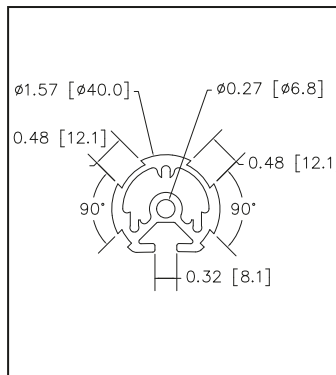
Color

Clear
Clear
Black
Black

Part

44233
44234
44233B
44234B

40mm D Round Profile



Applications

Tool support
Adjustable angle
Mounting
Track rail

Technical Specifications

1_x 5.75 cm⁴
Weight 1.68 kg/m

Description

Profile cut to length 6m max
Profile box - 16 pieces - 6m ea.
Profile cut to length 6m max.
Profile box - 16 pcs - 6m ea.

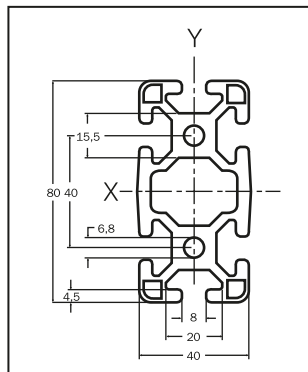
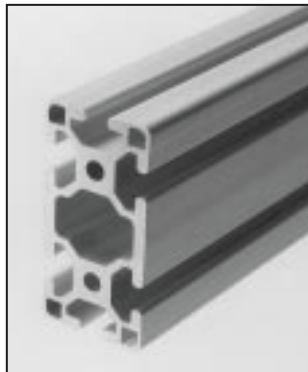
Color

Clear
Clear
Black
Black

Part

44238
44239
44238B
44239B

40mm x 80mm Profile



Applications

Medium duty structures
Compressed air piping
Linear motion support

Technical Specifications

1_x 77.27 cm⁴
 1_y 20.50 cm⁴
Weight 3.57 kg/m

Description

Profile cut to length 6m max
Profile box - 8 pieces - 6m ea.
Profile cut to length 6m max.
Profile box - 8 pcs - 6m ea.
Profile saw cut

Color

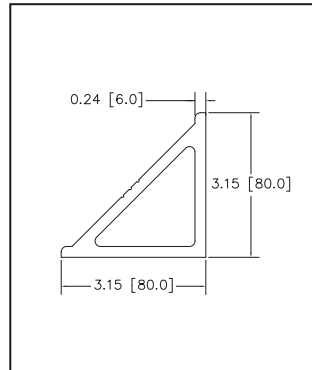
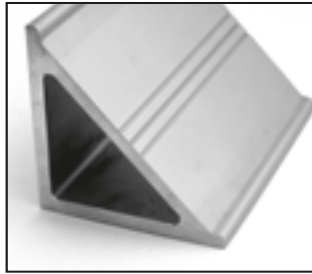
Clear
Clear
Black
Black

Part

44084
44085
44084B
44085B
44102

a lex[®] Basic Profiles - 40mm Series Profiles

Gussett Profile



Applications

General gusset support

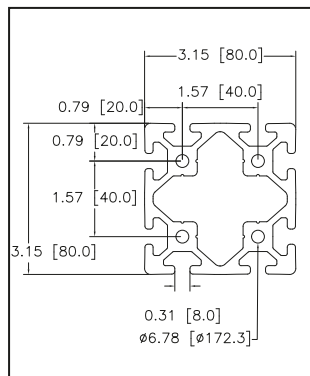
Description

Profile box - 8 pieces - 3m ea.
Profile saw cut

Color
Clear

Part #
44431
44102

80mm x 80mm Profile



Applications

General gusset support
Compressed air piping
Linear motion support

Technical Specifications

I_x 177.35 cm⁴
Weight 6.06 kg/m

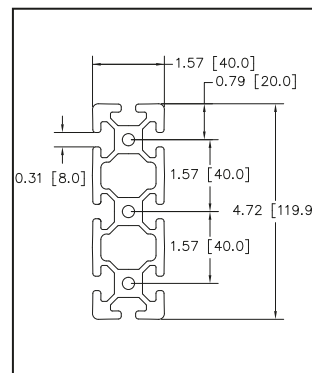
Description

Profile cut to length 6m max
Profile box - 4 pieces - 6m ea.
Profile cut to length 6m max.
Profile box - 4 pcs - 6m ea.
Profile saw cut

Color
Clear
Clear
Black
Black

Part #
44088
44089
44088B
44089B
44102

40mm x 120mm Profile



Applications

Heavy duty structures
Compressed air piping
Linear motion support

Technical Specifications

I_x 231.14 cm⁴
 I_y 28.9 cm⁴
Weight 6.58 kg/m

Description

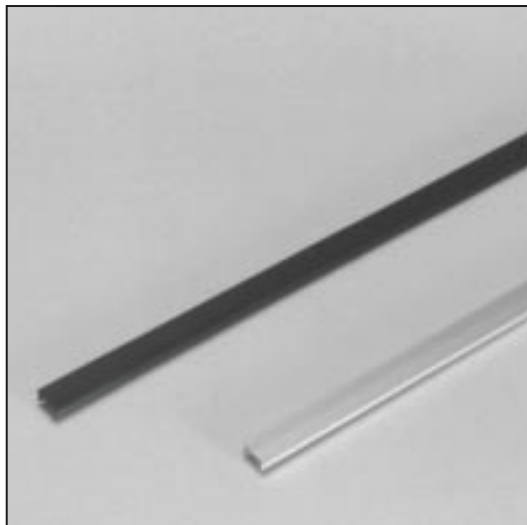
Profile cut to length 6m max
Profile box - 4 pieces - 6m ea.

Color
Clear
Clear

Part #
44124
44125

a lex[®] **Accessory Profiles**

T Slot Cover - Aluminum



Applications

Decorative
Light duty wire ducting
Clean rooms

Technical Specifications

Mat AL 6063
Weight .046 kg/m

Description

Cover per 2m piece
Cover per 2m piece
Cover (not anodized) per 2m ea.

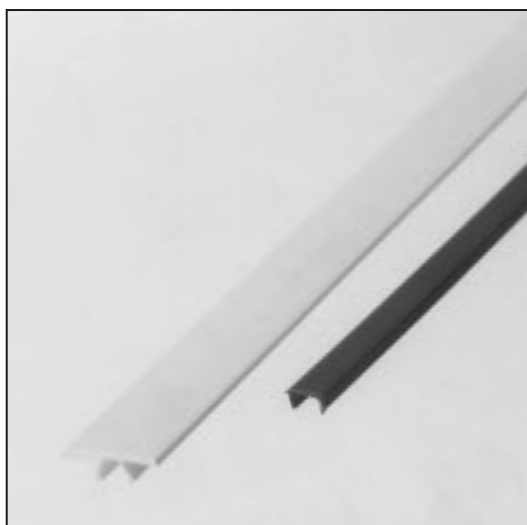
Color

Clear
Black
Plain

Part

44022
44022B
44022N

T Slot Cover - PVC



Applications

Covering T slots
Push in design

Technical Specifications

Mat PVC

Two widths - 25mm & 8mm

Description

25mm T slot cover-safety yellow
8mm T slot cover-safety yellow
8mm T slot cover-flat black

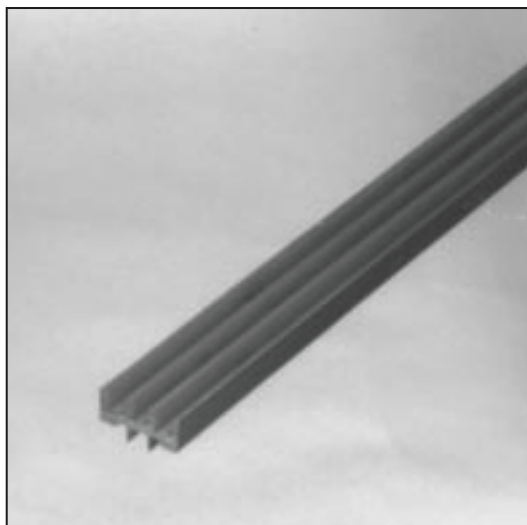
Color

3m pc
2m pc
2m pc

Part

44510
44026
44024

Lower Sliding Door



Applications

Panel guide & containment
Max panel thickness .375 in. (9.5mm)

Technical Specifications

Mat AL 6063
Weight .591 kg/m

Description

Profile cut to length 3m max.
Profile box 10 piece 3m ea.
Profile saw cut

Color

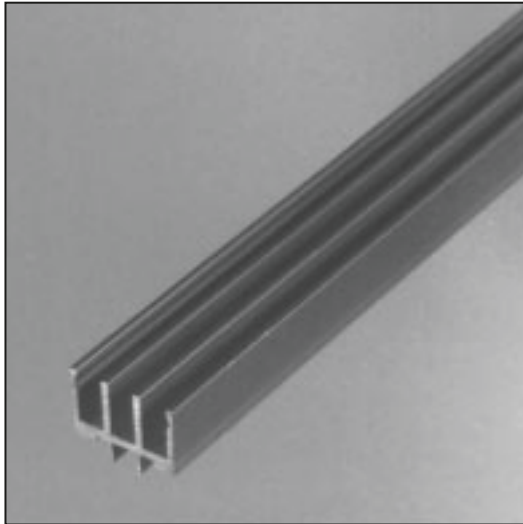
Clear

Part

44014
44015
44102

a lex[®] **Accessory Profiles**

Upper Sliding Door



Applications

Panel guide & containment
Max panel thickness .375"

Technical Specifications

Mat AL 6063
9.5mm Weight .581 kg/m

Description

Profile cut to length 3m max.
Profile box 10 piece 3m ea.
Profile saw cut

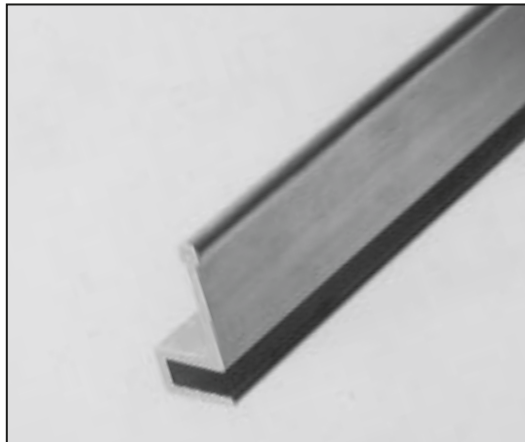
Color

Clear

Part

44012
44013
44102

Door Stiffener Opener



Applications

Panel stiffener
Door handle
(use only with 6.3mm (1/4") thick material)

Technical Specifications

Mat AL 6063

Description

Profile cut to length 3m max.
Profile box 10 piece 3m ea.
Profile saw cut

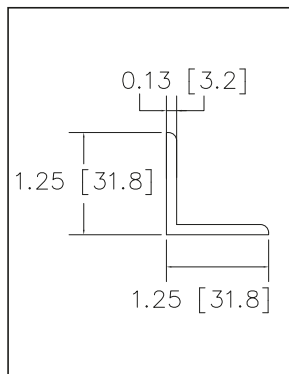
Color

Clear
Clear

Part

44136
44137
44102

Panel Flange



Applications

Frame support
Mounting options

Technical Specifications

1_x .042 cm⁴
 1_y .042 cm⁴
Weight .509 kg/m

Description

Profile cut to length 5m max.

Color

Clear

Part

44784