

a lex[®] Workstations & Tool Supports



Standard Workstation #44399 Shown



Complete Pallet Transport Workstation #44499 Shown

Let our modular construction and experience help you equip your workstation to meet your needs!

Popular options we can build into your workstations include:

- **Manual Pallet Transport**
- **ESD (Electro Static Disipative) Surfaces**
- **Conductive Frames**
- **Conveyor Spur Sections**
- **Automatic Height Adjustment**
- **X-Y Motion Overhead Gantry**
- **Integral Flowrack**

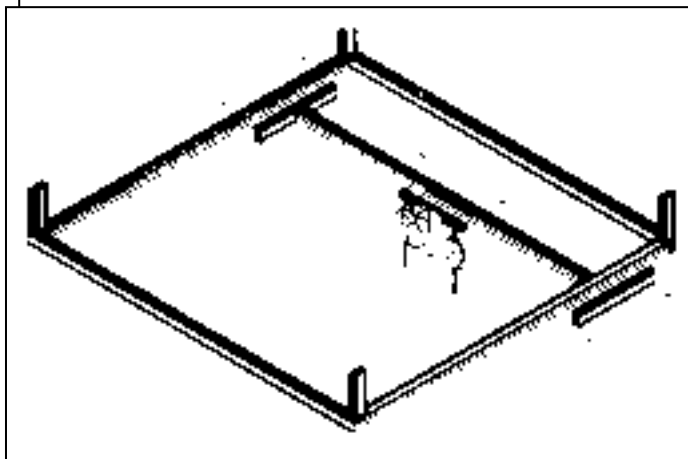
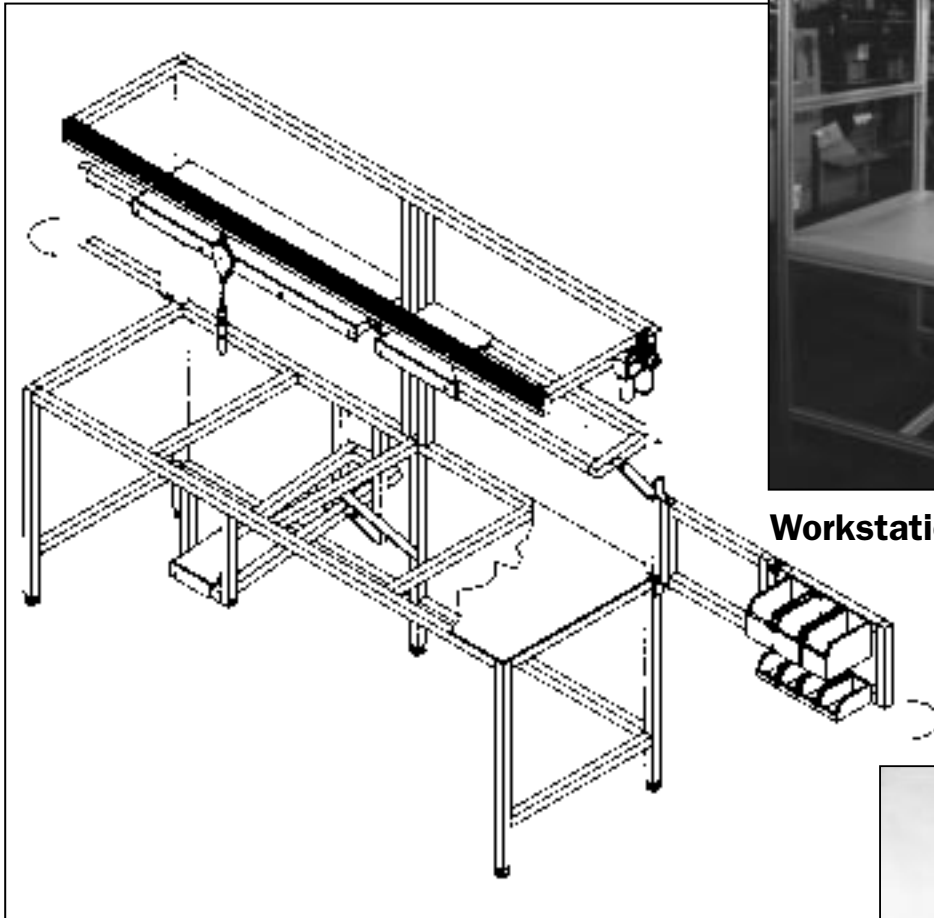


Typical Pallet Transport Installation

a lex[®] Workstations & Tool Supports



Workstation Production



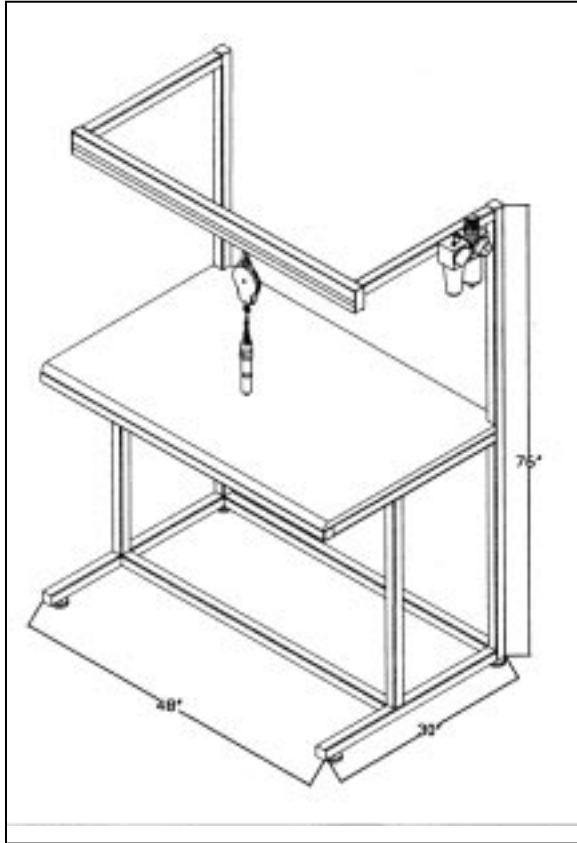
Ceiling Mounted Tool Gantry



Custom Work Station

a lex[®] Workstations & Tool Supports

Standard Workstation



Applications

General use workstation
for single operator
sitting position

Technical Specifications

Frame - 40mm profile
Top - Gray 1.25"
laminata (30" x 48")
Single tool trolley
Adjustable swivel foot

Description

Standard workstation

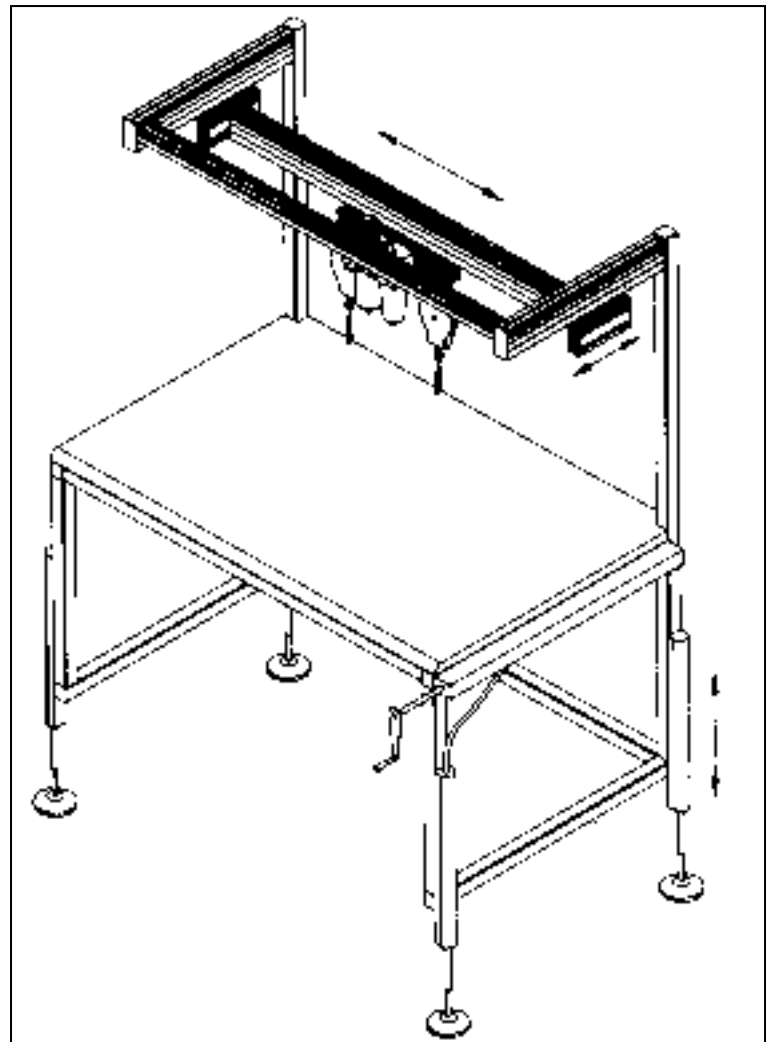
Unit

each

Part

44399

Typical Variation of Workstation

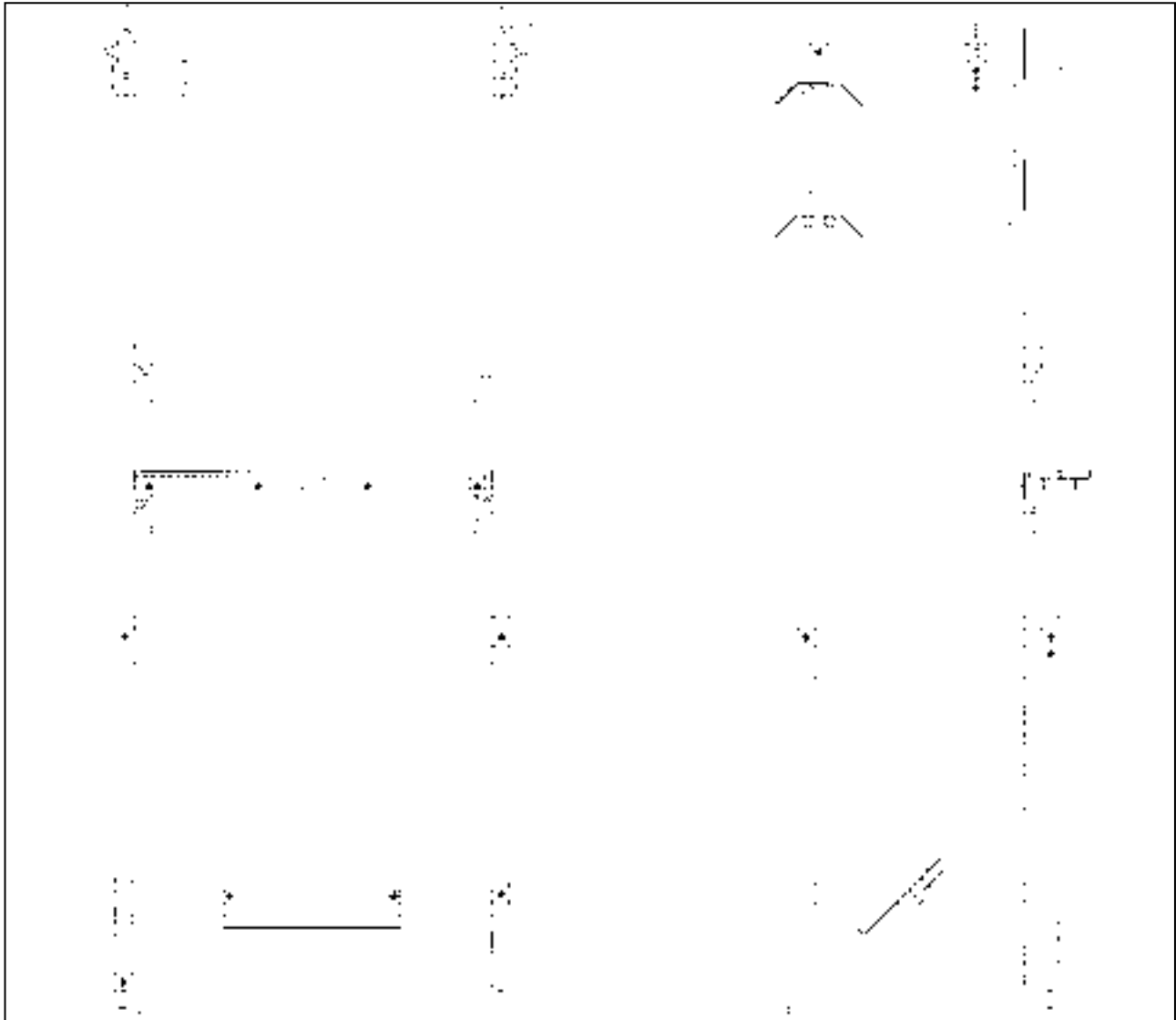


Additional Features

- 2 axis overhead gantry
- 12" height adjustment via manually operated hydraulic legs

a lex[®] Workstations & Tool Supports

Work Station Application



Overhead Light



Applications

Overhead for
single workstation
Bull nose shape

Description

Overhead light

Technical Specifications

48" length
2 tube
On/off switch

Unit
each

Part #
44403

a lex[®] Workstations & Tool Supports

Drawer Unit



Shown with hydraulic legs

Applications

General workstation use

Technical Specifications

6" height
Gray sheet metal

Description

Drawer

Unit

each

Part

44401

Under-slung File Cabinet



Applications

Description

Under-slung file cabinet

Technical Specifications

Unit

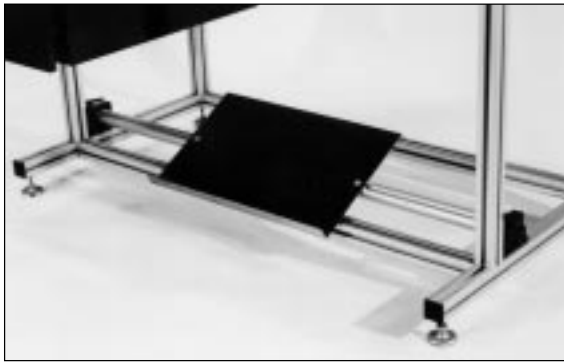
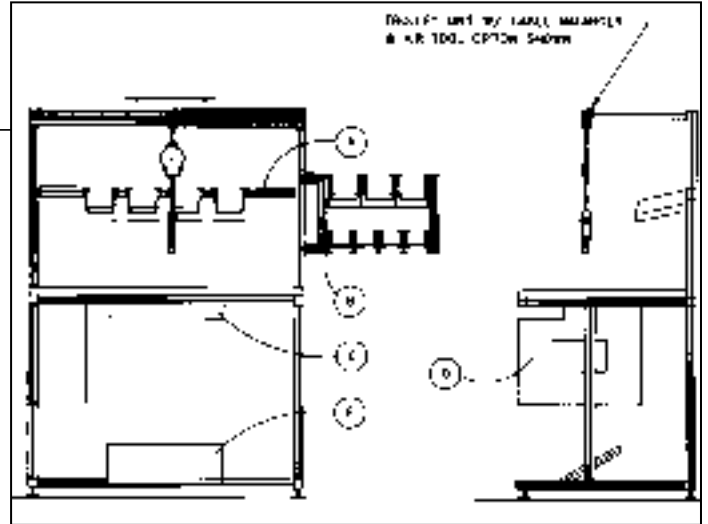
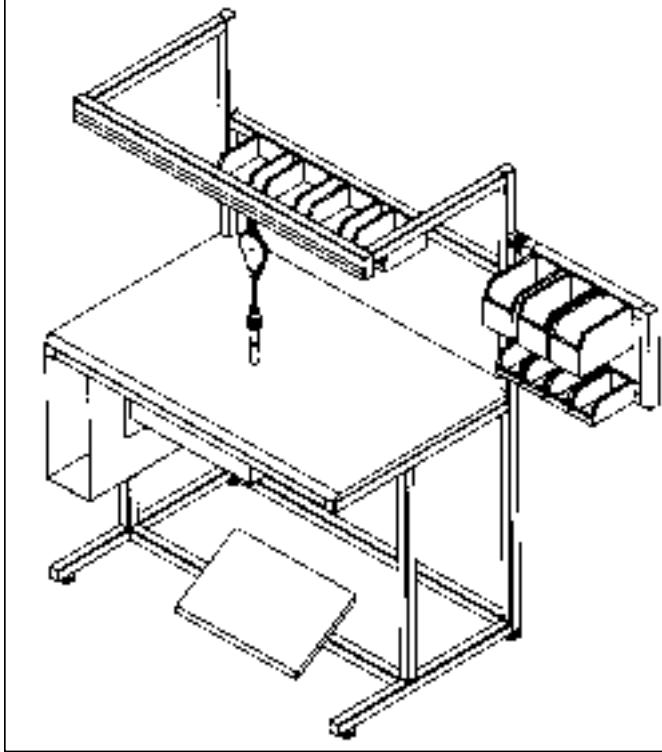
each

Part

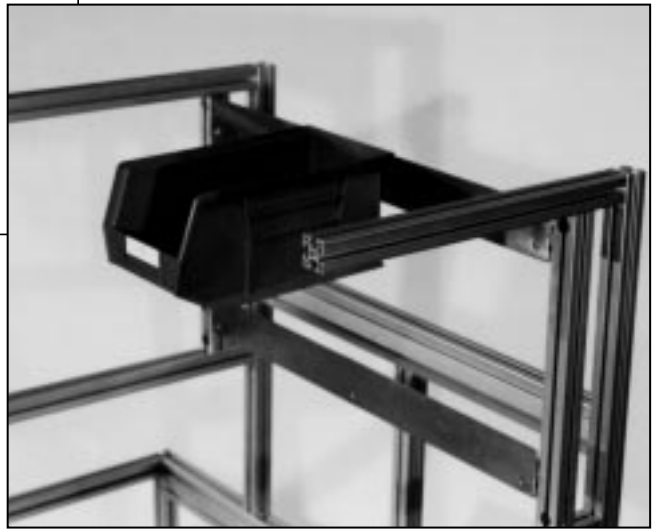
44404

a lex® Workstations & Tool Supports

STD Workstation Accessories



Foot Rest

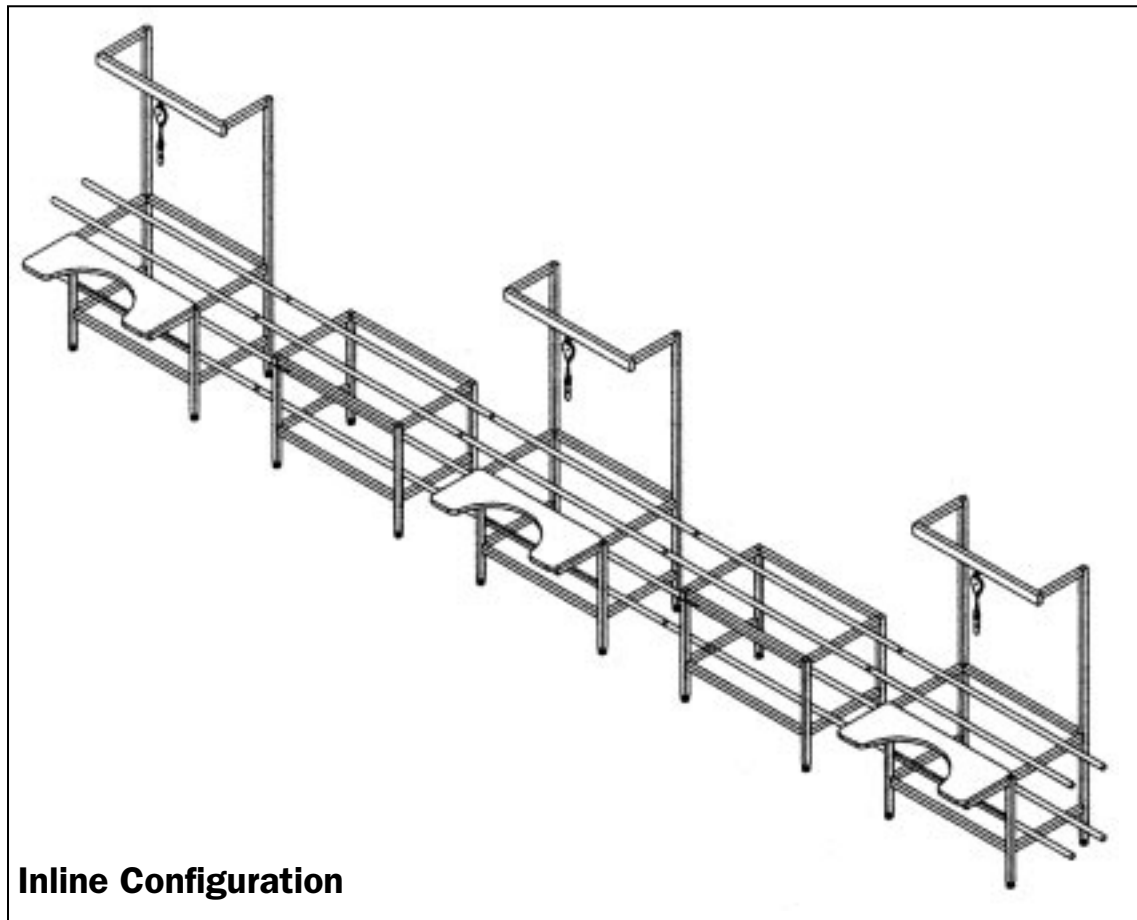
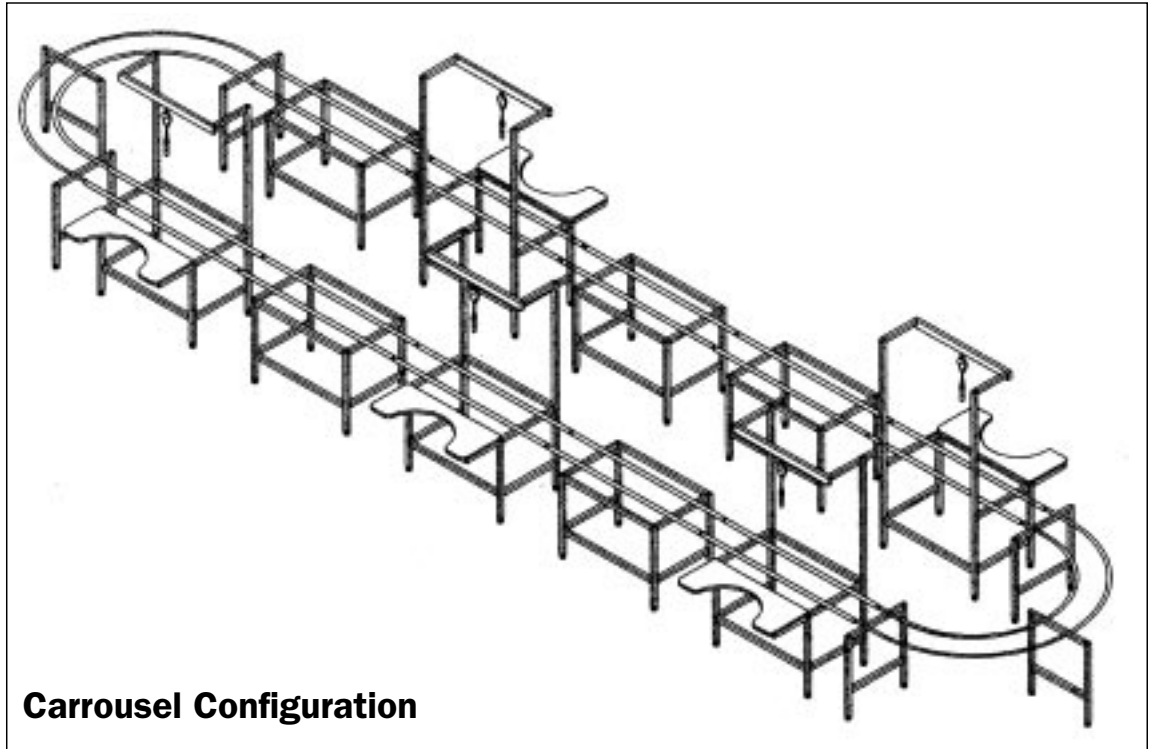


Bin Wall

Letter	Description	Unit	Part #
A	Single bin rail (bins not included)	each	44406
B	Bin wall - Swivel (bins not included)	each	44407
C	Underside keyboard tray	each	44402
D	CPU holder (7.5" W x 17.5"D x 17.75"H) Gray sheet metal	each	44408
E	Foot rest (12" x 20" steel)	each	44409
NS	110 VAC outlet box 6 position - 6 foot cord	each	44405

a lex[®] **Workstations & Tool Supports**

Pallet Transport Workstations



a lex[®] Workstations & Tool Supports

Pallet Transport Workstation Kit



Applications

Basic transport workstation
available sitting or standing heights
adjustable
includes one 2m [79"] section of 40mm
round profile track section

Technical Specifications

40mm slot profile construction
Track support members

Nylon swivel feet

Description

Pallet Transport workstation Kit
Sitting height range
Pallet Transport workstation Kit
Standing height range
Complete pallet transport workstation kit
Sitting height range
Complete pallet transport
Standing height range

Unit

each

Part

44482

each

44484

each

44494

each

44500



Complete Workstation includes—

- Overhead Support Kit #44486
- Workstation Kit #44487
- Underside Pallet Return Kit #44492

Pallet Transport Section Kit



Applications

Basic track section
Available sitting or standing heights
Includes one 2m [79"] section of 40mm
Ideal for bases where operations are fully
automatic.
Heavy duty and very heavy duty available.

Technical Specifications

40mm 4 slot profile construction
Track support members adjustable
Nylon swivel feet

Description

Pallet Transport Section Kit
Sitting height range
Pallet Transport Section Kit
Standing height range

Unit

each

Part

44476

each

44477

a lex[®] Workstations & Tool Supports

Pallet Transport Corner Section Kit



Applications

Basic 90 degree corner track section
Available sitting or standing heights
Includes one 2m [79'] section of 40mm round profile track section
bottom rails can be used as return kit

Two sizes:

36" radius for 12" pallets
48" radius for 18" pallets

Technical Specifications

40mm 4 slot profile construction
Track support members adjustable
Nylon swivel feet

Description

Pallet Transport Section Kit
36" radius for 12" pallets
Pallet Transport Section Kit
48" radius for 18" pallets

Unit

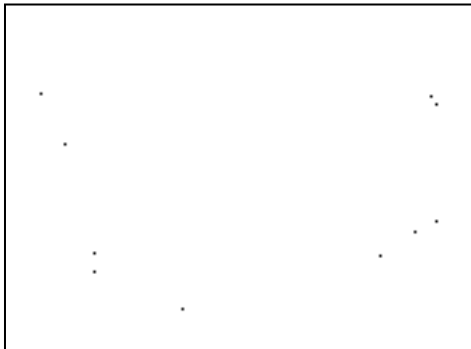
each

Part

44493

each

44494



Transport Pallet



Applications

Base Pallet for manual transport
2 sizes available 300mm [12"] wide x
roller 450mm [18'] long and 18" x 560mm [22"] long

Technical Specifications

Chassis - 4.5mm [.19] Al 6061
Rollers - UHMW w/sealed bearings

Description

12" Transport pallet
18" Transport pallet

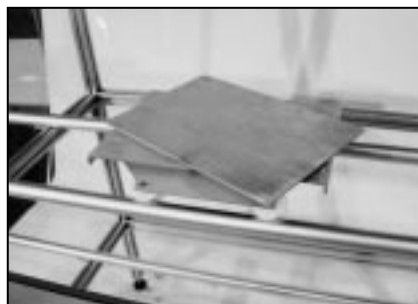
Unit

each
each

Part

44488
44489

Transport Pallet Rotate Kit



Applications

Allows pallet load to be rotated
Underside radial bearing
Detented home position
2 sizes available - 300mm [12"] x 450mm [18"] long
450mm [18"] x 560mm [22"] long

Technical Specifications

MAT - 4.5mm [.19] AL Steel
Finish - Clear anodize

Description

12" Pallet rotate kit
18" Pallet rotate kit

Unit

each
each

Part

44609
44610

a lex[®] Workstations & Tool Supports

Pallet Brake Kit



Applications

Simple friction stop for manual pallets
Friction tension can be adjusted

Technical Specifications

Support plate - Al 6061
Friction pad - UHMW

Description

Pallet Brake Kit

Unit

each

Part

44496

Pallet Lock Kit

Applications

Provide mechanical lock of manual pallet in position
Manual release

Technical Specifications

Support plate - Al 6061
dle - Blk Nylon

Description

Pallet Lock Kit

Unit

each

Part

44490

Flow Rack Rail Kit

Applications

Mounting bins at adjustable angle
Bins not included

Technical Specifications

2 - 20mm stanchions
2 - 32mm x 18" Long AL angle bars
2 - Stanchions clamp handles

Description

Flow rack rail kit

Unit

each

Part

44495

Pallet Transport Worksurface Kit

Applications

One worksurface 1200mm x 500mm
(48" x 20") w/semicircle cut out for operator comfort
adjustable height

Technical Specifications

1 - Laminate top 1.25" thk grey
Banded edge
2 - underside supports
80 x40 profile x 355 mm (14")
4 - universal connectors

Description

Pallet Transport Worksurface Kit

Unit

each

Part

44487

a lex[®] Workstations & Tool Supports

Underside Pallet Return Kit

Applications

One 2m (79") rail section and mounting brackets for use with both 12" and 18" pallets

Technical Specifications

2 - 40mm round profile section
4 - L Brackets
2 - Buttconnectors

Description

Underside Pallet Return Kit

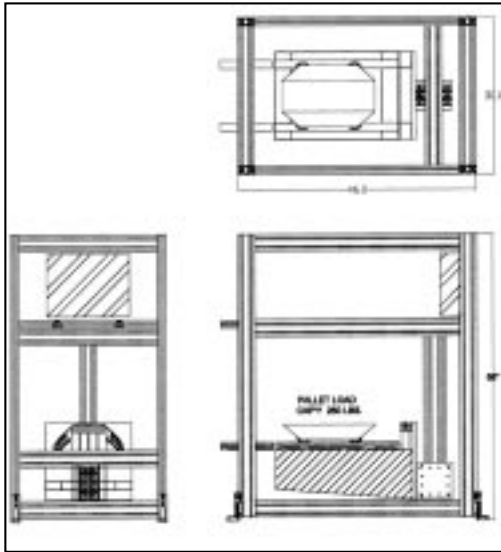
Unit

each

Part

44492

Pallet Lift Transfer



Applications

To raise & lower pallet to/ from each level

Travels are pneumatic - with external linear bearings

Multiple control options - call factory for configuration engineering and pricing

Technical Specifications

Mat - 40mm x 40mm & 40mm x 80mm profile
Clear anodize

Description

Pallet Lift Transfer

Part

44525

Pallet Transport Overhead Support Kit

Applications

Overhead support for one or more trolleys
Comp air can be routed through track section as option
25kg (55lb) capacity

Technical Specifications

1 - Tool trolley profile section x 48"long
1 - Single tool trolleys

2 - Trolley stop
2 - 80 x40 end caps
2 - Adjustable support

Description

Overhead Support Kit

Unit

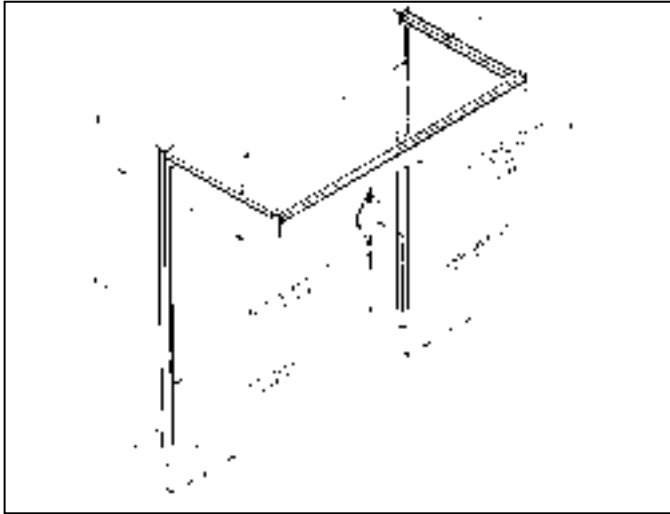
each

Part

44486

a lex[®] Workstations & Tool Supports

Standard Tool Support



Applications

General overhead support
1 axis motion
for all types of
supportable tools

Technical Specifications

Profile - 40mm
Height - 48"
Width - 60"
Overhang - 18"
Max Cap - 12Kg (25 lbs)

Description

Standard tool support

Unit

each

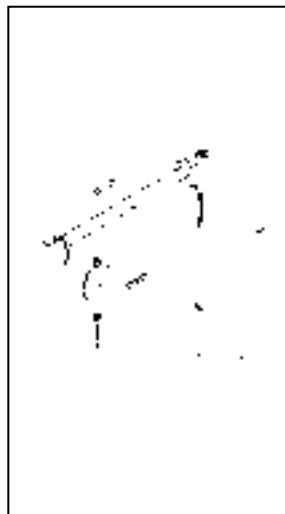
Part

44079

Custom Swivel Boom Application



Swivel Boom



Applications

360° rotation
of bottom boom
trolley profile
boom arm level
adjustment
Rotation clamp
25kg capacity

Technical Specifications

Boom arm
Trolley profile
Column - 40mm
Dia. -
Base plate - AL
Single tool trolley

Description

630mm bench support
1000mm bench support
630mm wall support
1000mm wall support

Unit

each
each
each
each

Part

44410
44411
44412
44413

a lex[®] Workstations & Tool Supports

Single Tool Trolley



Applications

Single axle
2 wheel
trolley

Technical Specifications

CRS Blk powdercoat
2 sealed
Ball bearing

Description

Single tool support

Unit

each

Part

44077

Double Tool Trolley



Applications

Two axles
4 wheel
trolley

Technical Specifications

CRS Blk powdercoat
4 sealed
Ball bearing

Description

Double tool support

Unit

each

Part

44076

Frame Trolley



Applications

Single axle
for attaching frame
members to frame doors or to
overhead gantry structure

Technical Specifications

CRS Blk powdercoat
2 sealed
Ball bearing

Description

Frame trolley

Unit

each

Part

44080

a lex[®] Workstations & Tool Supports

Trolley Stop



Applications

Use with Trolley Profile only
open hole thrd M8
Use for pneumatic plate
or 80x40 end cap

Technical Specifications

frame - CRS Blk powdercoat
Rubber bumper
Flat fastener

Description

Trolley Stop

Unit

each

Part

44078